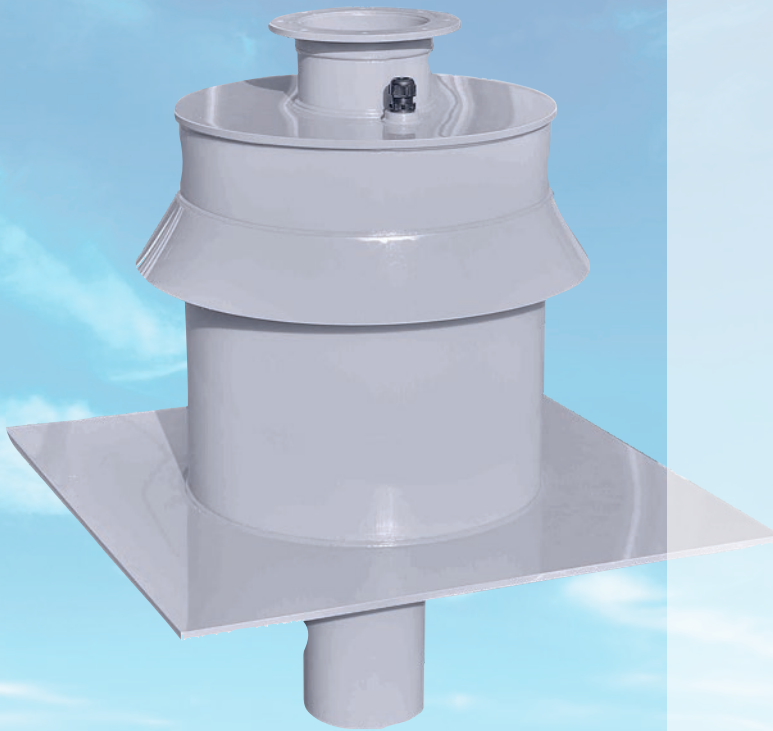


Silencer



Type
HF - SSD



Silencer without cable bushing for HF D ...-15 / 17 D and HF D ...-16 D

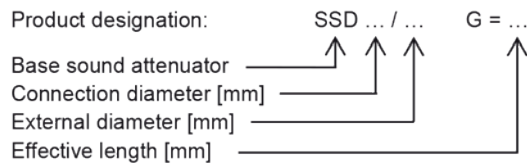


Advantages

- Made of corrosion-resistant plastic
- Available for flat roof or inclined roof

Application

- For sound attenuation in direct connection with HF roof fans:
standard for HF D ...-15 / 17 D and HF D ...-16 D



Design

- Sturdy welded housing with flange for fan, rain collar and roof attachment plate
- Nominal connection sizes from 110 to 400 mm, larger nominal sizes possible on request
- Roof attachment piece for flat roof, optionally available for inclined roof
- Absorption material made of non-combustible mineral wool according to DIN 4102, shrink-wrapped so it is abrasion-resistant and moisture-proof
- Made as standard from PPs material or PVC, other materials optionally available

Specification

HF silencer for roof fans made of plastic,
Material: PPs

In round design, with welded-on rain collar. Sturdy housing with pipe connection and integrated housing including integrated roof attachment piece for mounting an HF roof fan: Type: **HF D ... - .. D**

Absorption material made of non-combustible mineral wool according to DIN 4102, shrink-wrapped or covered with acoustically transparent plastic foil. Covering of the absorption material by means of perforated plastic plate, material as housing.

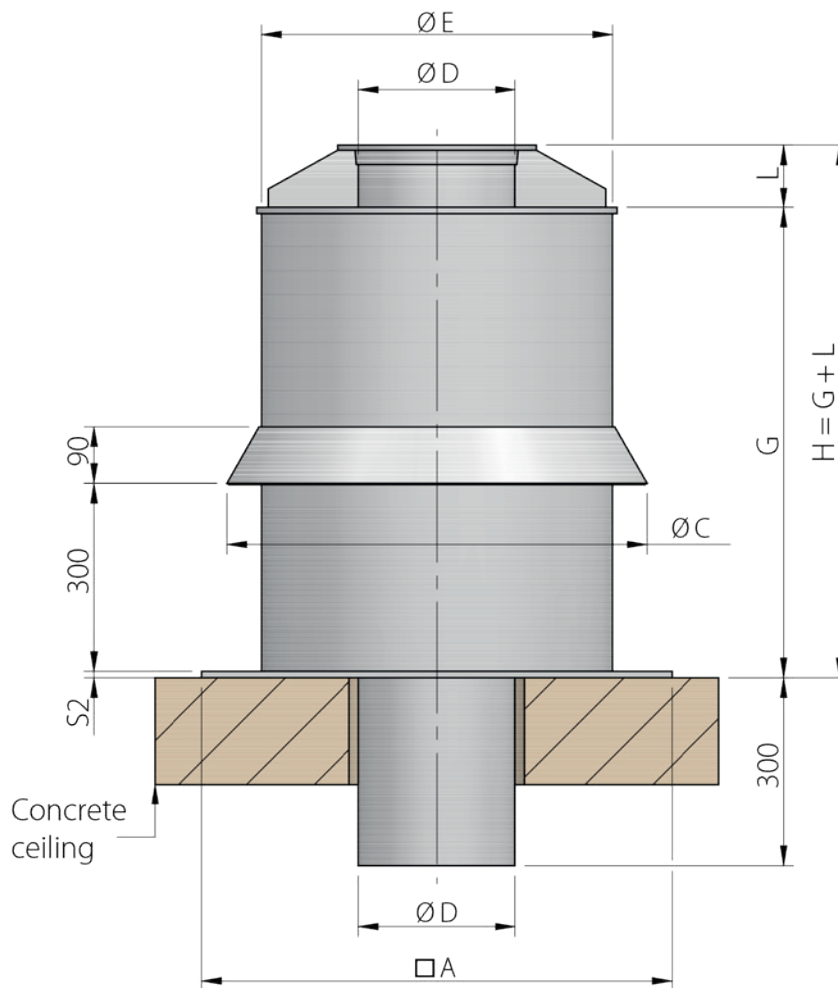
Brand	: Hürner Luft- und Umwelttechnik	
Type	: HF SSD	
Connection diameter	: ...	mm
External diameter	: ...	mm
Effective length	: ...	mm
Total height	: ...	mm
Connection type	: 300 mm long pipe connection	
Attenuation	: ...	dB / 250 Hz

The standard base sound attenuator is supplied without cable bushing to the building.
The variants with cable bushing are optionally available at extra cost.

HF - SSD without cable bushing



Silencer without cable
bushing for
HF D ...-15 / 17 D and
HF D ...-16 D



PPs									
Size - Type	Dimension [mm]					Effective length [mm]			
	□A	ØC	ØE	S2	L	G = 500	G = 750	G = 1000	G = 1200
110-17	750	510	400	10	100	408-012-000010	408-012-000090	408-012-000170	
160-17	750	560	450	10	100	408-012-000020	408-012-000100	408-012-000180	408-012-000260
200-17	750	610	500	10	100	408-012-000030	408-012-000110	408-012-000190	408-012-000270
250-15	750	670	560	10	100	408-012-000040	408-012-000120	408-012-000200	408-012-000280
250-17	750	670	560	10	100	408-012-000040	408-012-000120	408-012-000200	408-012-000280
315-15	900	740	630	10	100	408-012-000050	408-012-000130	408-012-000210	408-012-000290
315-16	900	740	630	10	100	408-012-000060	408-012-000140	408-012-000220	408-012-000300
355-16	950	767	657	10	100	408-012-000070	408-012-000150	408-012-000230	408-012-000310
400-16	1000	910	800	10	100	408-012-000080	408-012-000160	408-012-000240	408-012-000320

Silencer with cable bushing for HF D ...-15 / 17 D and HF D ...-16 D

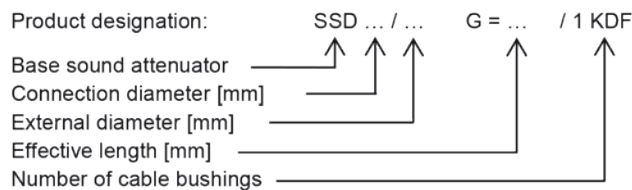


Advantages

- Made of corrosion-resistant plastic
- Available for flat roof or inclined roof

Application

- For sound attenuation in direct connection with HF roof fans:
standard for HF D ...-15 / 17 D
and HF D ...-16 D



Design

- Sturdy welded housing with flange for fan, rain collar and roof attachment plate
- Nominal connection sizes from 110 to 400 mm, larger nominal sizes possible on request
- Roof attachment piece for flat roof, optionally available for inclined roof
- Absorption material made of non-combustible mineral wool according to DIN 4102, shrink-wrapped so it is abrasion-resistant and moisture-proof
- Made as standard from PPs material or PVC, other materials optionally available
- One integrated cable bushing for the through-wiring of the motor connecting cable

Specification

HF silencer for roof fans made of plastic,
Material: PPs

In round design, with welded-on rain collar. Sturdy housing with pipe connection and

integrated cable bushing: 1 piece: **M 25 x 1,5**

Cable bushing with cable gland according to DIN EN 50262 / IP 68. Sealing area with strain relief for cable diameter 9 - 17 mm.

housing including integrated roof attachment piece for mounting an HF roof fan: Type: **HF D ... - .. D**

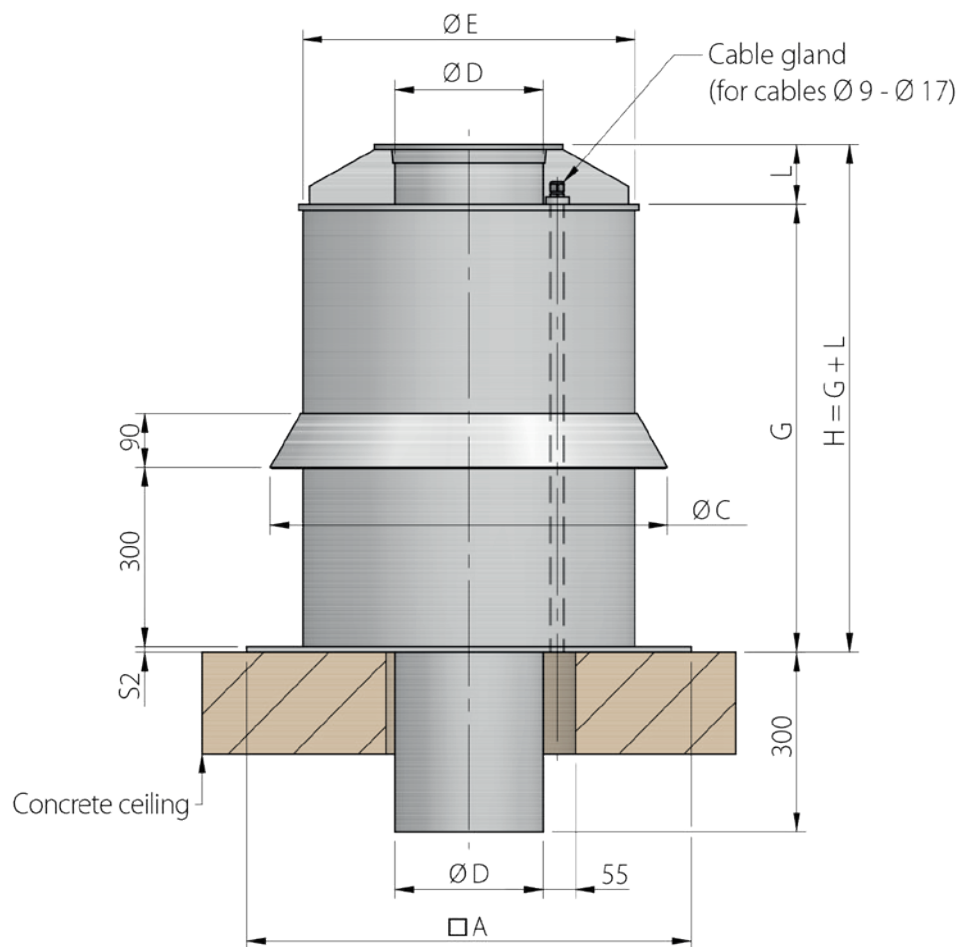
Absorption material made of non-combustible mineral wool according to DIN 4102, shrink-wrapped or covered with acoustically transparent plastic foil. Covering of the absorption material by means of perforated plastic plate, material as housing.

Brand	: Hürner Luft- und Umwelttechnik	
Type	: HF SSD	
Connection diameter	: ...	mm
External diameter	: ...	mm
Effective length	: ...	mm
Total height	: ...	mm
Connection type	: 300 mm long pipe connection	
Attenuation	: ...	dB / 250 Hz

HF - SSD with one cable bushings



Silencer with two cable bushings for
HF D ...-15 / 17 D and
HF D ...-16 D



PPs									
Size - Type	Dimension [mm]					Effective length [mm]			
Ø	□A	ØC	ØE	S2	L	G = 500	G = 750	G = 1000	G = 1200
110-17	750	510	400	10	100	408-012-000350	408-012-000430	408-012-000510	
160-17	750	560	450	10	100	408-012-000360	408-012-000440	408-012-000520	408-012-000600
200-17	750	610	500	10	100	408-012-000370	408-012-000450	408-012-000530	408-012-000610
250-15	750	670	560	10	100	408-012-000380	408-012-000460	408-012-000540	408-012-000620
250-17	750	670	560	10	100	408-012-000380	408-012-000460	408-012-000540	408-012-000620
315-15	900	740	630	10	100	408-012-000390	408-012-000470	408-012-000550	408-012-000630
315-16	900	740	630	10	100	408-012-000400	408-012-000480	408-012-000560	408-012-000640
355-16	950	767	657	10	100	408-012-000410	408-012-000490	408-012-000570	408-012-000650
400-16	1000	910	800	10	100	408-012-000420	408-012-000500	408-012-000580	408-012-000660

Silencer with two cable bushings for
HF D ...-15 / 17 D and
HF D ...-16 D

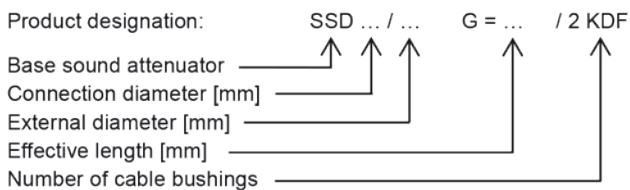


Advantages

- Made of corrosion-resistant plastic
- Available for flat roof or inclined roof

Application

- For sound attenuation in direct connection with HF roof fans:
standard for HF D ...-15 / 17 D and HF D ...-16 D



Design

- Sturdy welded housing with flange for fan, rain collar and roof attachment plate
- Nominal connection sizes from 110 to 400 mm, larger nominal sizes possible on request
- Roof attachment piece for flat roof, optionally available for inclined roof
- Absorption material made of non-combustible mineral wool according to DIN 4102, shrink-wrapped so it is abrasion-resistant and moisture-proof
- Made as standard from PPs material or PVC, other materials optionally available
- Two integrated cable bushings for the through-wiring of the motor connection cable and the recommended separate through-wiring of the connecting cable for frequency inverter operation or connection with PTC thermistor

Specification

HF silencer for roof fans made of plastic,
Material: PPs

In round design, with welded-on rain collar. Sturdy housing with pipe connection and **two integrated cable bushings**:

1 piece: **M 25 x 1,5**

Cable bushing with cable gland according to DIN EN 50262/IP 68. Sealing area with strain relief for cable diameter 9 - 17 mm.

1 piece: **M 20 x 1,5**

Cable bushing with cable gland according to DIN EN 50262/IP 68. Sealing area with strain relief for cable diameter 6 - 13 mm.

housing including integrated roof attachment piece for mounting an HF roof fan: Type: **HF D ... - .. D**

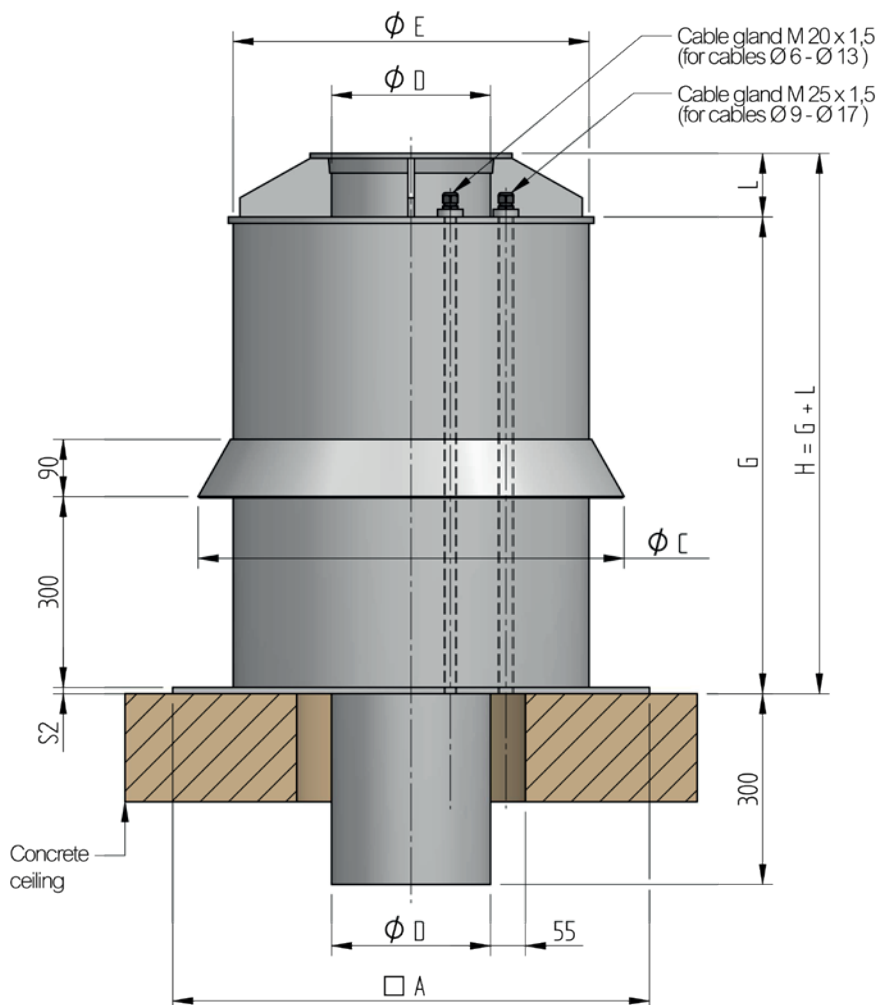
Absorption material made of non-combustible mineral wool according to DIN 4102, shrink-wrapped or covered with acoustically transparent plastic foil. Covering of the absorption material by means of perforated plastic plate, material as housing.

Brand	: Hürner Luft- und Umwelttechnik	
Type	: HF SSD	
Connection diameter	: ...	mm
External diameter	: ...	mm
Effective length	: ...	mm
Total height	: ...	mm
Connection type	: 300 mm long pipe connection	
Attenuation	: ...	dB / 250 Hz

HF - SSD with two cable bushings



Accessories
Silencer with two cable
bushings for
HF D ...-15 / 17 D and
HF D ...-16 D

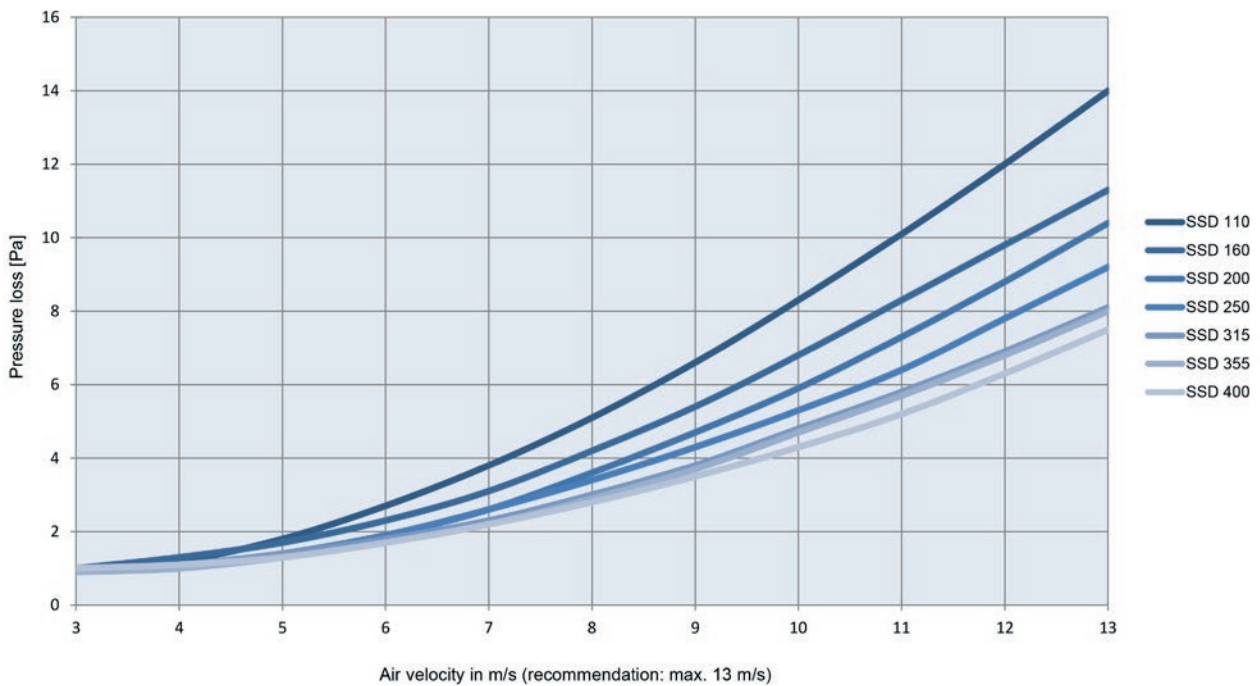


PPs									
Size - Type	Dimension [mm]					Effective length [mm]			
Ø	□A	ØC	ØE	S2	L	G = 500	G = 750	G = 1000	G = 1200
110-17	750	510	400	10	100	408-012-001000	408-012-002000	408-012-003000	
160-17	750	560	450	10	100	408-012-001100	408-012-002100	408-012-003100	408-012-004100
200-17	750	610	500	10	100	408-012-001200	408-012-002200	408-012-003200	408-012-004200
250-15	750	670	560	10	100	408-012-001300	408-012-002300	408-012-003300	408-012-004300
250-17	750	670	560	10	100	408-012-001300	408-012-002300	408-012-003300	408-012-004300
315-15	900	740	630	10	100	408-012-001400	408-012-002400	408-012-003400	408-012-004400
315-16	900	740	630	10	100	408-012-001500	408-012-002500	408-012-003500	408-012-004500
355-16	950	767	657	10	100	408-012-001600	408-012-002600	408-012-003600	408-012-004600
400-16	1000	910	800	10	100	408-012-001700	408-012-002700	408-012-003700	408-012-004700

Silencer for
 HF D ...-15 / 17 D and
 HF D ...-16 D


Insertion loss [dB] | Effective length G = 500

Size Ø	Frequency band [Hz]							
	63	125	250	500	1000	2000	4000	8000
110	7	14	26	26	26	26	18	9
160	3	7	16	18	18	18	9	4
200	2	5	13	14	14	10	5	2
250	1	4	11	11	11	7	3	1
315	1	3	9	9	9	4	2	1
355	1	3	8	8	6	3	1	1
400	1	4	7	7	5	2	1	1

Pressure loss characteristic | Effective length G = 500


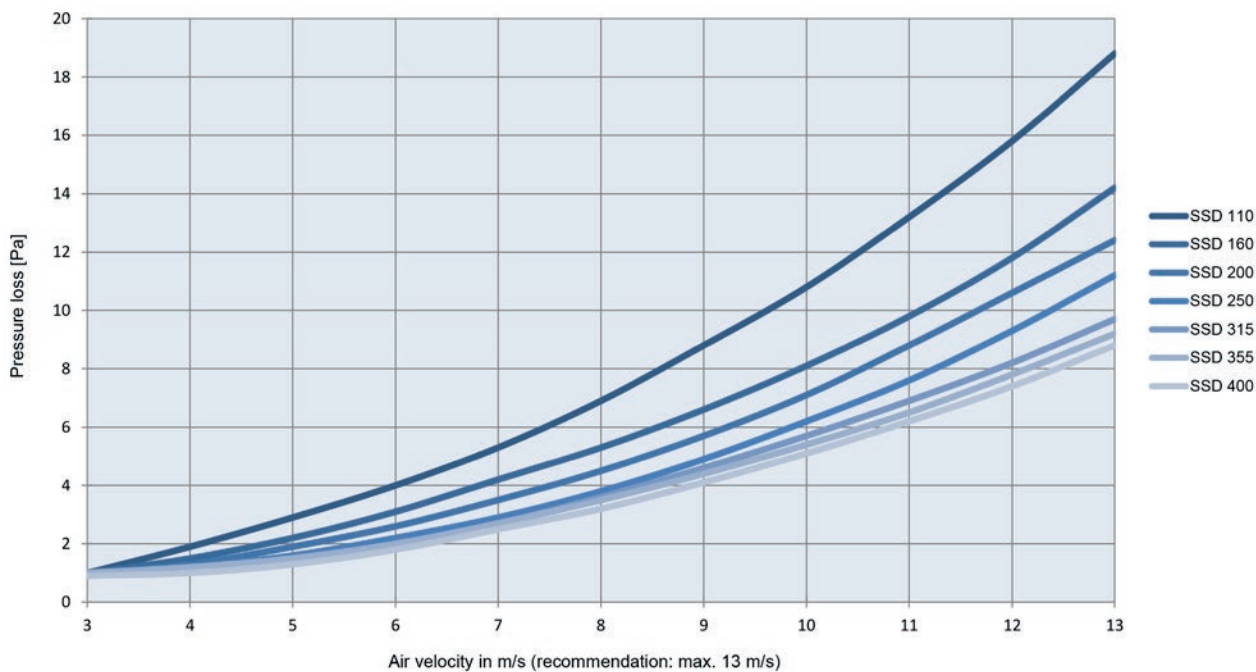


Silencer for
HF D ...-15 / 17 D and
HF D ...-16 D

Insertion loss [dB] | Effective length $G = 750$

Size Ø	Frequency band [Hz]							
	63	125	250	500	1000	2000	4000	8000
110	11	21	39	39	39	39	27	14
160	5	11	25	27	27	27	14	6
200	3	8	20	21	21	16	8	4
250	2	6	16	17	17	10	5	2
315	1	5	13	13	13	7	3	1
355	1	4	12	12	10	5	2	1
400	2	6	10	10	8	4	2	1

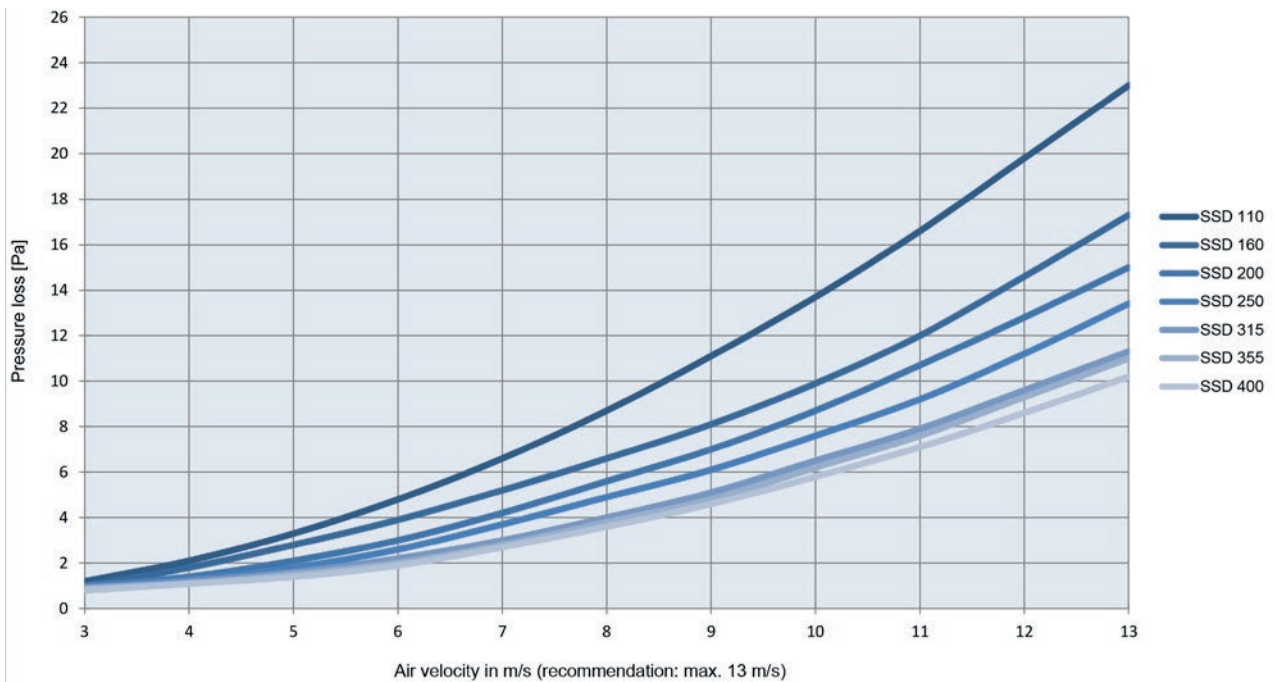
Pressure loss characteristic | Effective length $G = 750$



Silencer for
 HF D ...-15 / 17 D and
 HF D ...-16 D


Insertion loss [dB] | Effective length G = 1000

Size Ø	Frequency band [Hz]							
	63	125	250	500	1000	2000	4000	8000
110	15	29	50	50	50	50	36	19
160	7	15	34	36	36	36	19	9
200	4	11	27	29	29	22	11	5
250	3	8	22	23	23	14	7	3
315	2	7	18	18	18	9	4	2
355	2	6	16	16	13	7	3	1
400	3	8	14	14	10	5	2	1

Pressure loss characteristic | Effective length G = 1000


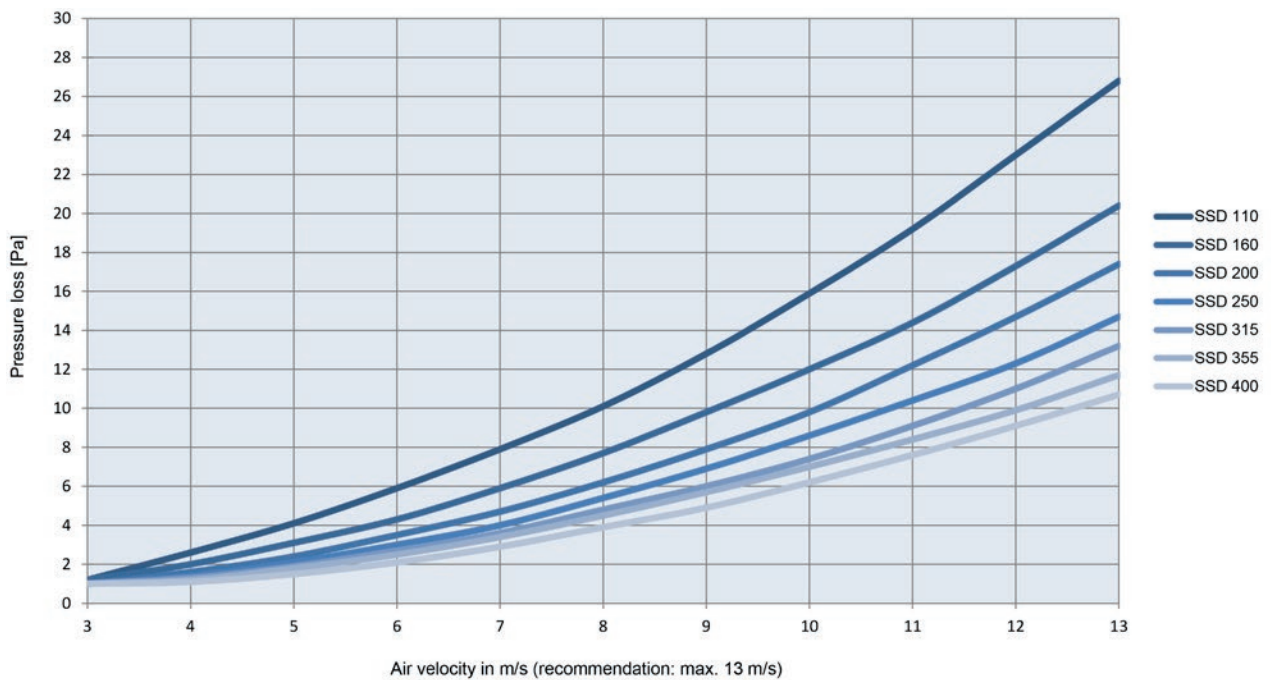


Silencer for
HF D ...-15 / 17 D and
HF D ...-16 D

Insertion loss [dB] | Effective length $G = 1200$

Size Ø	Frequency band [Hz]							
	63	125	250	500	1000	2000	4000	8000
110	18	35	50	50	50	50	41	22
160	8	18	41	44	44	44	23	11
200	5	13	32	35	35	26	14	6
250	4	10	27	28	28	17	8	4
315	3	8	22	22	22	11	5	2
355	2	7	19	19	16	8	4	2
400	3	10	17	17	13	7	3	1

Pressure loss characteristic | Effective length $G = 1200$





Hürner Luft- und Umwelttechnik

www.hlu.eu

Hürner Luft- und Umwelttechnik GmbH
Ernst-Hürner-Straße
35325 Mücke-Atzenhain
Germany

Tel. +49 6401 9180 - 0
Fax +49 6401 9180 - 142

info@hlu.eu

Sälzerstraße 20a
56235 Ransbach-Baumbach
Germany

Tel. +49 2623 92 95 9 - 0
Fax +49 2623 92 95 9 - 99

Edition 11-2020