

HF-AK

Shut-off valve, airtight closing

Description

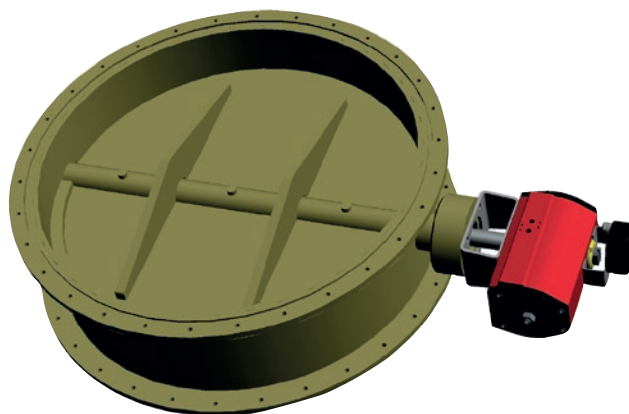
HF-AK shut-off valves are ideal for use in heavily polluted aggressive exhaust air, and are used for setting pressure or volume flows or for shutting off air flows in the piping systems of ventilation systems.

In terms of engineering, shut-off valves have a robust industrial design. Distortion-free steel-reinforced valve shafts ensure a high degree of rigidity. The wear-resistant axle bearing with double shaft sealing system allows for the use in pressure ranges of up to +/- 4,000 pa. All parts exposed to the exhaust medium are made of plastic or are plastic-coated.

As standard, sturdy welded connection flanges with O-ring seals are used as connecting elements.

As an option, flanges can be produced in special versions with a choice of bolt hole circles, holes and wall thicknesses. Alternatively, pipe or sleeve connections on both sides are possible.

Valve adjustment is effected either by means of permanently installed electric/pneumatic actuators or manually using a stainless steel control lever.



The HF-AK shut-off valves are certified by the German TÜV Rheinland for shutting off air flows, in accordance with DIN 1946 - Part 4 (airtight closing).

Materials

Depending on the exposure to chemical and physical loads, the thermoplastics PP, PPs, PE or PVDF as well as sealing materials made of EPDM, Viton or Teflon are used.

In potentially explosive areas, electrically conductive plastics such as PE-el are used.

Sizes

HF shut-off valves are available in standard nominal diameters from 160 mm to 1400 mm.

