

## Airstream monitoring

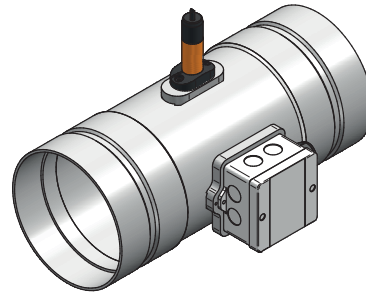


Type

HF-ASM-MU ...



## Airstream monitoring


**Technical description and application**

Airstream monitor installed in plastic pipe with cable and mounted terminal box. For simple and reliable monitoring of the flow in ventilation systems. The calorimetric sensor made of titanium-PBT in a protective plastic housing is suitable for humid and chemically polluted gases.

The cylindrical, smooth plastic housing contains the sensor, the evaluation electronics, the output relay, the setting potentiometer, the LEDs and a time relay for start-up bridging. The start-up and standby phase is visually indicated by the red and green LEDs simultaneously illuminating. During this time the output relay is energised and the contact is closed.

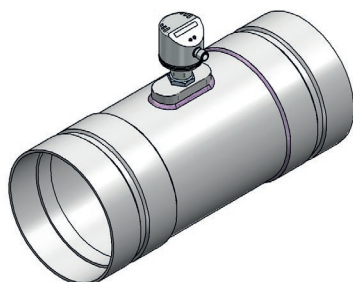
The undershooting of the limit value can be infinitely adjusted by means of a potentiometer. A red or green LED indicates that the flow rate has fallen below or exceeded the limit value. Undershooting = red LED illuminates, relay has fallen off; Exceeding = normal operation, green LED illuminates, relay energised.

**Manufacturer** : Hürner Luft- und Umwelttechnik  
**Type** : HF-ASM-MU ...

Housing material : PPs  
 Sensor material : Titan-PBT  
 Temperatur : -10 to +50 °C  
 Setting range : 1...10 m/s  
 Greatest sensitivity : 1...4 m/s  
 Response time : 3...60 s

Size : Ø ... mm  
 Installation length : ... mm  
 Type of installation : Sleeve  
 Electrical design : AC/DC  
 Operating voltage : 80...250 AC/DC V (47...63 Hz AC)  
 Output function : Relay energises on flow  
 Contact rating : 3 A (30 V DC / 250 V AC)  
 Protection : IP 65

Airstream monitoring	
Type	Article no.
HF-ASM-MU 75	412-016-000001
HF-ASM-MU 90	412-016-000002
HF-ASM-MU 110	412-016-000003
HF-ASM-MU 125	412-016-000004
HF-ASM-MU 140	412-016-000005
HF-ASM-MU 160	412-016-000006
HF-ASM-MU 180	412-016-000007
HF-ASM-MU 200	412-016-000008
HF-ASM-MU 225	412-016-000009
HF-ASM-MU 250	412-016-000010
HF-ASM-MU 280	412-016-000011
HF-ASM-MU 315	412-016-000012
HF-ASM-MU 355	412-016-000013
HF-ASM-MU 400	412-016-000014



## Airstream monitoring Ex-version

### Technical description and application

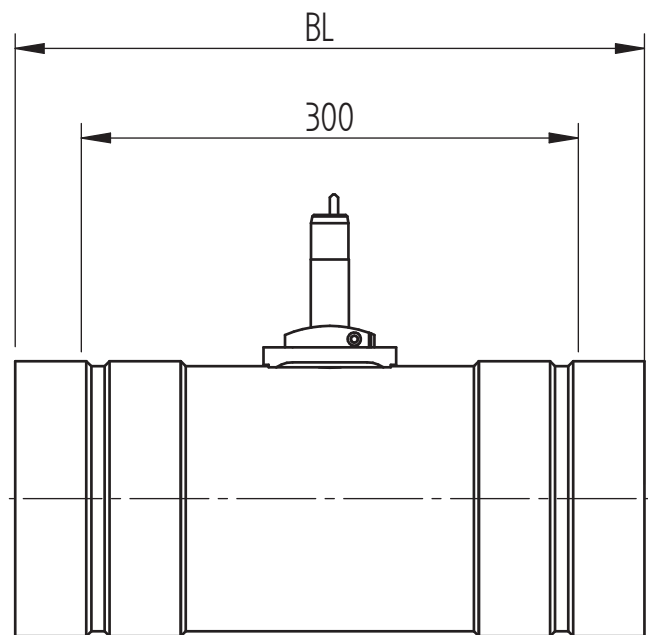
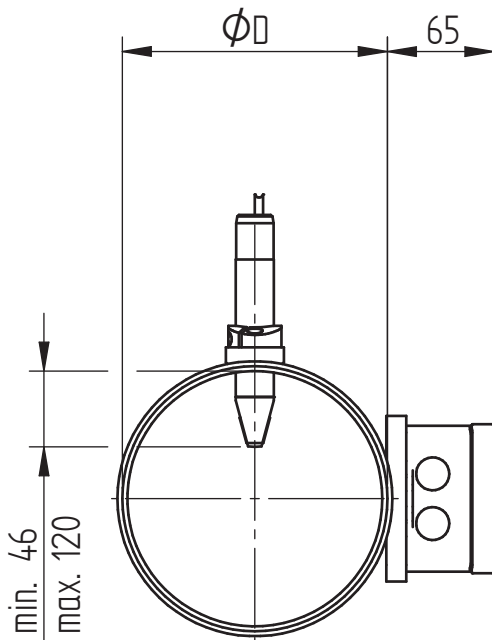
Airstream monitor installed in plastic pipe with cable and mounted terminal box. For simple and reliable monitoring of the flow in ventilation systems. The calorimetric sensor in the stainless steel protective housing is suitable for humid and chemically polluted gases.

The sensor detects the flow of the medium and switches the outlet (NO contact). The outlet is closed -when the medium is flowing, and opens when no flow is detected.

There are two setup buttons and a LED bar display on the sensor housing. The LED bar display lights up in orange when the outlet is closed, and red when it is open. The lower deviation of the limit value can be continuously adjusted using the setup button. The sensor has an electronic interlock function, so that unintentional input errors can be prevented.

<b>Manufacturer</b>	: Hürner Luft- und Umwelttechnik		
<b>Type</b>	: HF-ASM-MU ... Ex		
Housing material	: PPs		
Sensor material	: V4A		
Temperatur	: -25 to +80	°C	
Setting range	: 2...10	m/s	
Greatest sensitivity	: 2...8	m/s	
Response time	: 3...10	s	
Size	: Ø ...	mm	
Installation length	: ...	mm	
Type of installation	: Sleeve		
Electrical version	: DC PNP		
Operating voltage	: 19...36 DC	V	
Current consumption	: < 60	mA	
Output function	: normally open		
Current rating	: 250	mA	
Protection	: IP 67		
Connection	: Cable socket_EVC05A_M12_5m_Pur-Kabel		
Certification	: ATEX II 3G Ex nA IIC T4 Gc X		

Airstream monitoring Ex-version	
Type	Article no.
HF-ASM-MU 75 Ex	412-016-000752
HF-ASM-MU 90 Ex	412-016-000902
HF-ASM-MU 110 Ex	412-016-001102
HF-ASM-MU 125 Ex	412-016-001252
HF-ASM-MU 140 Ex	412-016-001402
HF-ASM-MU 160 Ex	412-016-001602
HF-ASM-MU 180 Ex	412-016-001802
HF-ASM-MU 200 Ex	412-016-002002
HF-ASM-MU 225 Ex	412-016-002252
HF-ASM-MU 250 Ex	412-016-002502
HF-ASM-MU 280 Ex	412-016-002802
HF-ASM-MU 315 Ex	412-016-003152
HF-ASM-MU 355 Ex	412-016-003552
HF-ASM-MU 400 Ex	412-016-004002



Type	Dimensions	
	BL	ØD
HF-ASM-MU 75	370	75
HF-ASM-MU 90	370	90
HF-ASM-MU 110	380	110
HF-ASM-MU 125	380	125
HF-ASM-MU 140	380	140
HF-ASM-MU 160	380	160
HF-ASM-MU 180	380	180

Type	Dimensions	
	BL	ØD
HF-ASM-MU 200	400	200
HF-ASM-MU 225	400	225
HF-ASM-MU 250	400	250
HF-ASM-MU 280	400	280
HF-ASM-MU 315	400	315
HF-ASM-MU 355	400	355
HF-ASM-MU 400	420	400

Dimensions identical for Ex-version

[www.hlu.eu](http://www.hlu.eu)

Hürner Luft- und Umwelttechnik GmbH  
Ernst-Hürner-Straße  
35325 Mücke-Atzenhain  
Germany

Tel + 49 6401 9180 - 0  
Fax + 49 6401 9180 - 142

[info@hlu.eu](mailto:info@hlu.eu)

HLU Systemtechnik GmbH  
Sälzerstraße 20a  
56235 Ransbach-Baumbach  
Germany

Tel + 49 2623 92 95 9 - 0  
Fax + 49 2623 92 95 9 - 99

[systemtechnik@hlu.eu](mailto:systemtechnik@hlu.eu)