

Circular silencer made of plastic



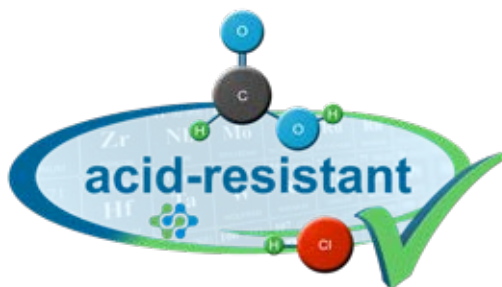
Type
HF - RSD



Why plastic?

- Durable
- Corrosion-resistant
- Resistant to chemicals
- High ductility
- Wide spectrum of materials

www.hlu.eu

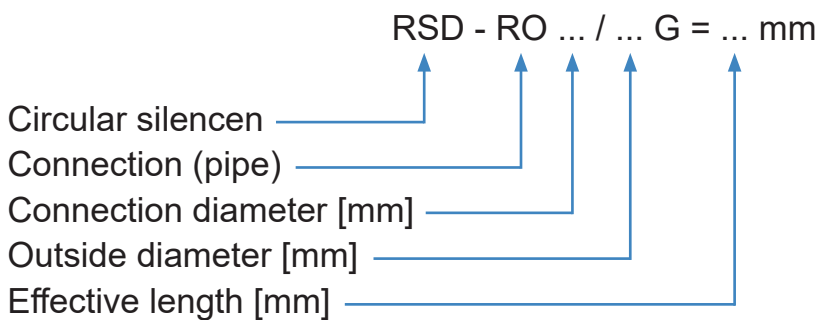




Index

Silencer with pipe connection	
Article code	4
Specification	4
Dimension drawing	5
Silencer with sleeve connection	
Article code	6
Specification	6
Dimension drawing	7
Silencer with flange connection	
Article code	8
Specification	8
Dimension drawing	9
Absorption	10
Pressure loss characteristic	13

HF - Silencer with pipe connection

Article code

Specification

HF - Absorption circular silencer made of plastic,

Stable housing with pipe connection, absorption material out of non-combustible mineral wool according to DIN 4102.

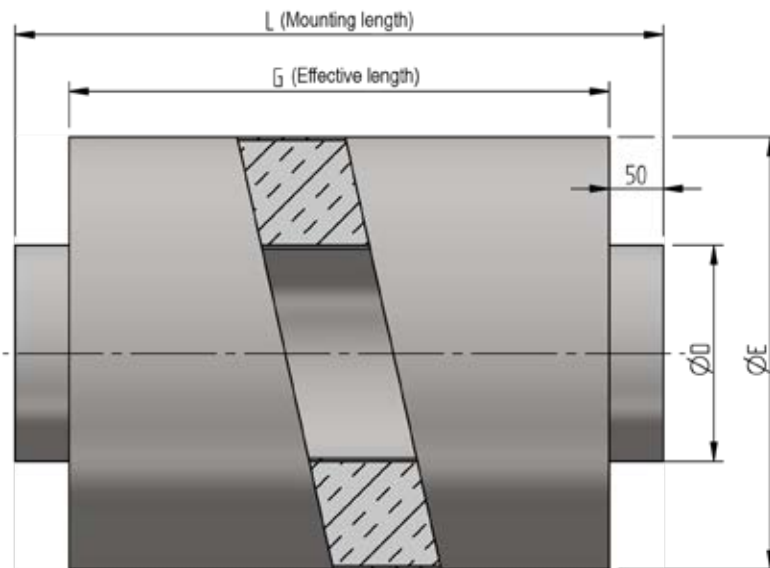
Abrasion-resistant and moisture-resistant shrink-wrapped alternatively covered with acoustic transparent plastic film.

Core retainer out of PPs - perforated plate, exempt cross-section 69 %.

Manufacturer	: HLU	
Type	: RSD - RO ... / ... G = ... mm	
Type of connection	: Pipe connection	
Material	: ...	
Connection diameter (Ø D)	: ...	mm
Outside diameter (Ø E)	: ...	mm
Effective length (G)	: ...	mm
Mounting length (L)	: G+100	mm
Absorption	: ...	dB / 250 Hz



HF - Silencer with pipe connection

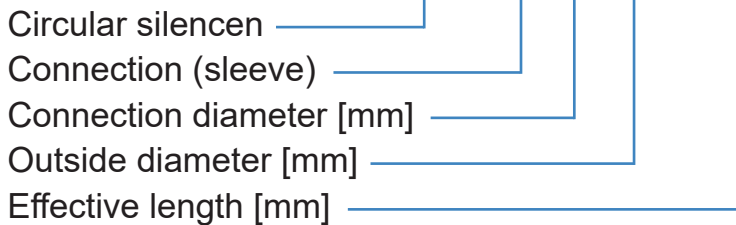


Size - Type
ØD / ØE
75 / 280
90 / 280
110 / 315
125 / 315
140 / 355
160 / 355
180 / 400
200 / 400
225 / 450
250 / 450
280 / 500
315 / 500
355 / 560
400 / 600

Standard supply length [mm]	
G	L
500	600
750	850
1000	1100
1250	1350
1500	1600

Special dimensions on request.

HF - Silencer with sleeve connection

Article code
RSD - MU ... / ... G = ... mm

Specification

HF - Absorption circular silencer made of plastic,

Stable housing with sleeve connection, absorption material out of non-combustible mineral wool according to DIN 4102.

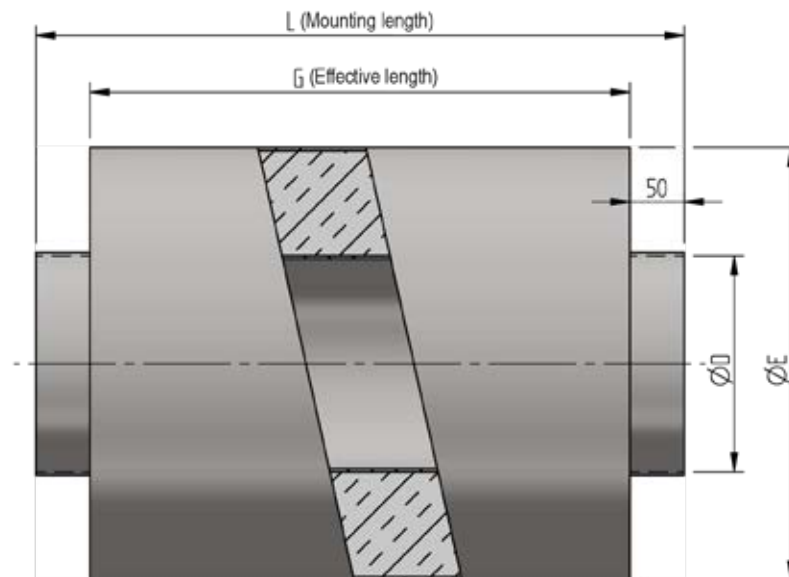
Abrasion-resistant and moisture-resistant shrink-wrapped alternatively covered with acoustic transparent plastic film.

Core retainer out of PPs - perforated plate, exempt cross-section 69 %.

Manufacturer	: HLU	
Type	: RSD - MU ... / ... G = ... mm	
Type of connection	: Sleeve connection	
Material	: ...	
Connection diameter (Ø D)	: ...	mm
Outside diameter (Ø E)	: ...	mm
Effective length (G)	: ...	mm
Mounting length (L)	: G+100	mm
Absorption	: ...	dB / 250 Hz



HF - Silencer with sleeve connection

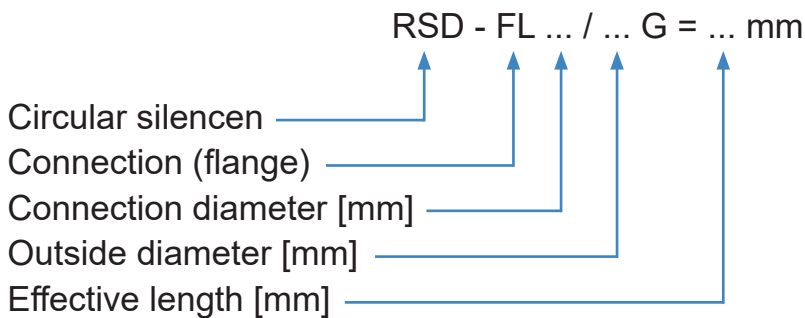


Size - Type
ØD / ØE
75 / 280
90 / 280
110 / 315
125 / 315
140 / 355
160 / 355
180 / 400
200 / 400
225 / 450
250 / 450
280 / 500
315 / 500
355 / 560
400 / 600

Standard supply length [mm]	
G	L
500	600
750	850
1000	1100
1250	1350
1500	1600

Special dimensions on request.

HF - Silencer with flange connection

Article code

Specification

HF - Absorption circular silencer made of plastic,

Stable housing with flange connection, absorption material out of non-combustible mineral wool according to DIN 4102.

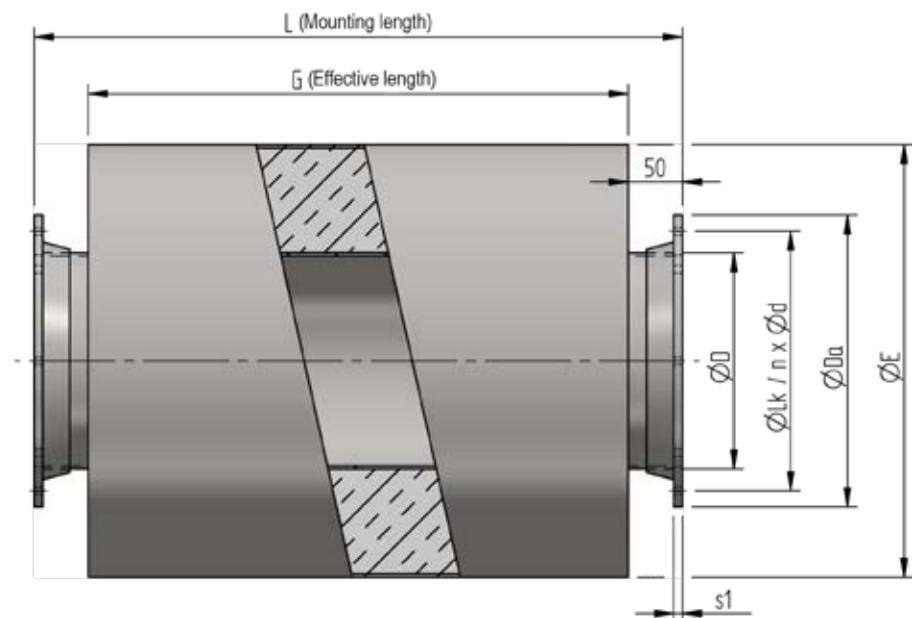
Abrasion-resistant and moisture-resistant shrink-wrapped alternatively covered with acoustic transparent plastic film.

Core retainer out of PPs - perforated plate, exempt cross-section 69 %.

Manufacturer	: HLU
Type	: RSD - FL ... / ... G = ... mm
Type of connection	: Flange connection
Material	: ...
Connection diameter (Ø D)	: ... mm
Outside diameter (Ø E)	: ... mm
Effective length (G)	: ... mm
Mounting length (L)	: G+100 mm
Absorption	: ... dB / 250 Hz



HF - Silencer with flange connection



Size - Type	Flange dimensions [mm]			
	ØDa	ØLk	n x Ød	s1
75 / 280	135	115	4 x 7	8
90 / 280	150	130	4 x 7	8
110 / 315	170	150	4 x 7	8
125 / 315	165	165	8 x 7	8
140 / 355	200	175	8 x 7	8
160 / 355	230	200	8 x 7	8
180 / 400	250	220	8 x 7	8
200 / 400	270	240	8 x 7	8
225 / 450	295	265	8 x 7	8
250 / 450	320	290	12 x 7	8
280 / 500	360	325	12 x 9	10
315 / 500	395	350	12 x 9	10
355 / 560	435	400	12 x 9	10
400 / 600	480	445	16 x 9	10

Standard supply length [mm]	
G	L
500	600
750	850
1000	1100
1250	1350
1500	1600

Special dimensions on request.

HF - Circular silencer
Absorption (dB)



RSD 75 / 280								
Length [mm]	Frequency band [Hz]							
	63	125	250	500	1000	2000	4000	8000
500	6	12	25	37	37	37	37	19
750	9	19	38	50	50	50	50	28
1000	12	25	50	50	50	50	50	34
1250	16	31	50	50	50	50	50	40
1500	19	38	50	50	50	50	50	46

RSD 90 / 280								
Length [mm]	Frequency band [Hz]							
	63	125	250	500	1000	2000	4000	8000
500	4	10	21	33	33	33	27	14
750	7	15	31	50	50	50	41	22
1000	9	20	42	50	50	50	50	28
1250	12	25	50	50	50	50	50	33
1500	14	30	50	50	50	50	50	38

RSD 110 / 315								
Length [mm]	Frequency band [Hz]							
	63	125	250	500	1000	2000	4000	8000
500	3	7	15	27	27	27	18	9
750	4	10	23	40	40	40	28	14
1000	6	14	31	50	50	50	37	19
1250	8	18	39	50	50	50	43	24
1500	9	21	47	50	50	50	50	28

RSD 125 / 315								
Length [mm]	Frequency band [Hz]							
	63	125	250	500	1000	2000	4000	8000
500	2	5	13	24	24	24	15	7
750	3	8	20	36	36	36	22	11
1000	5	11	27	48	48	48	30	15
1250	6	14	33	50	50	50	35	18
1500	7	17	40	50	50	50	40	22

RSD 140 / 355								
Length [mm]	Frequency band [Hz]							
	63	125	250	500	1000	2000	4000	8000
500	2	4	11	21	21	21	12	6
750	3	7	17	32	32	32	18	9
1000	4	9	23	42	42	42	24	12
1250	5	12	29	50	50	50	30	15
1500	6	14	35	50	50	50	34	17



HF - Circular silencer
Absorption (dB)

RSD 160 / 355								
Length [mm]	Frequency band [Hz]							
	63	125	250	500	1000	2000	4000	8000
500	1	4	10	18	18	18	9	4
750	2	6	15	28	28	28	14	6
1000	3	8	20	37	37	37	19	9
1250	4	10	26	46	46	46	24	11
1500	4	12	31	50	50	50	28	13

RSD 180 / 400								
Length [mm]	Frequency band [Hz]							
	63	125	250	500	1000	2000	4000	8000
500	1	3	9	16	16	13	7	3
750	2	5	13	25	25	20	11	5
1000	2	7	18	33	33	27	14	7
1250	3	8	23	41	41	34	18	9
1500	4	10	27	50	50	41	22	10

RSD 200 / 400								
Length [mm]	Frequency band [Hz]							
	63	125	250	500	1000	2000	4000	8000
500	1	3	8	15	15	11	5	2
750	1	4	12	22	22	16	8	4
1000	2	6	17	30	30	22	11	5
1250	2	7	21	37	37	28	15	7
1500	3	9	25	45	45	33	17	8

RSD 225 / 450								
Length [mm]	Frequency band [Hz]							
	63	125	250	500	1000	2000	4000	8000
500	1	2	7	13	13	9	4	2
750	1	4	11	20	20	13	7	3
1000	1	5	15	26	26	18	9	4
1250	2	6	19	33	33	22	11	5
1500	2	8	23	40	40	27	14	6

RSD 250 / 450								
Length [mm]	Frequency band [Hz]							
	63	125	250	500	1000	2000	4000	8000
500	1	2	7	12	12	7	3	1
750	1	3	11	18	18	11	5	2
1000	1	5	14	24	24	15	7	3
1250	2	6	18	30	30	18	9	4
1500	2	7	22	36	36	22	11	5

HF - Circular silencer
 Absorption (dB)


RSD 280 / 500								
Length [mm]	Frequency band [Hz]							
	63	125	250	500	1000	2000	4000	8000
500	1	2	6	10	10	6	3	1
750	1	3	10	16	16	9	4	2
1000	1	4	13	21	21	12	6	2
1250	1	5	17	26	26	15	7	3
1500	2	6	20	32	32	18	9	4

RSD 315 / 500								
Length [mm]	Frequency band [Hz]							
	63	125	250	500	1000	2000	4000	8000
500	1	2	6	9	9	4	2	1
750	1	3	9	14	14	7	3	1
1000	1	4	13	19	19	10	4	2
1250	1	5	16	23	23	12	6	2
1500	1	6	19	28	28	15	7	3

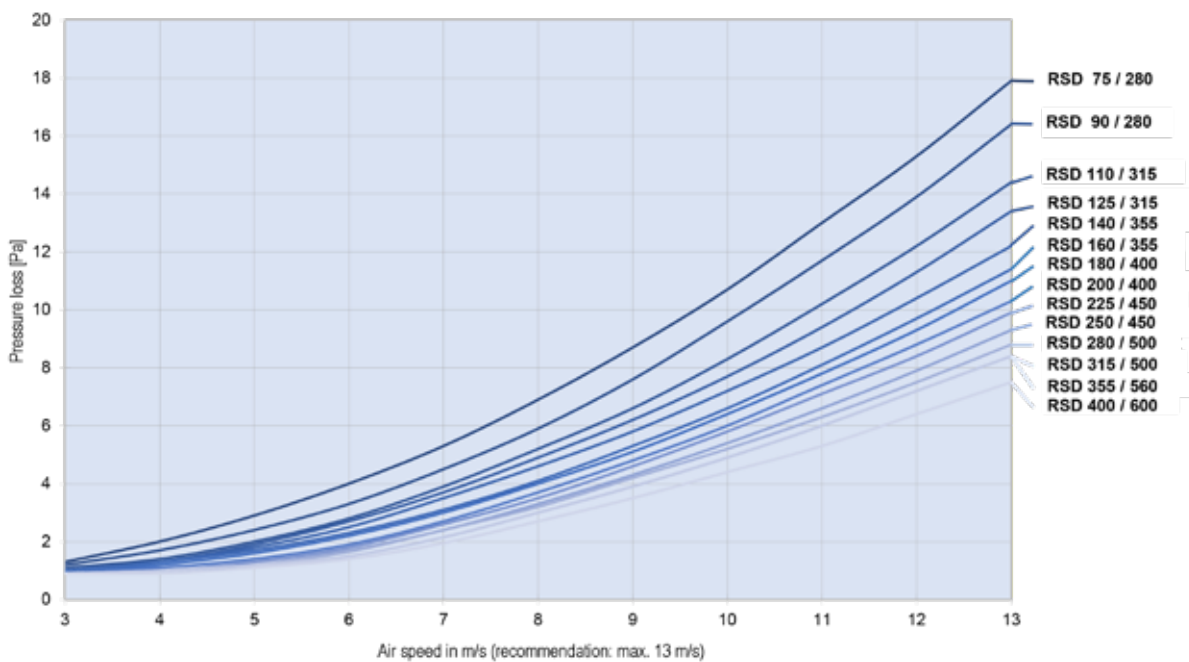
RSD 355 / 560								
Length [mm]	Frequency band [Hz]							
	63	125	250	500	1000	2000	4000	8000
500	1	1	6	8	6	3	1	1
750	1	2	9	12	10	5	2	1
1000	1	3	12	16	13	7	3	1
1250	1	4	15	21	17	9	4	2
1500	1	5	19	25	21	11	5	2

RSD 400 / 600								
Length [mm]	Frequency band [Hz]							
	63	125	250	500	1000	2000	4000	8000
500	1	1	6	7	5	2	1	1
750	1	2	9	11	8	4	2	1
1000	1	3	12	15	11	5	2	1
1250	1	4	15	18	13	7	3	1
1500	1	5	18	22	16	8	4	1

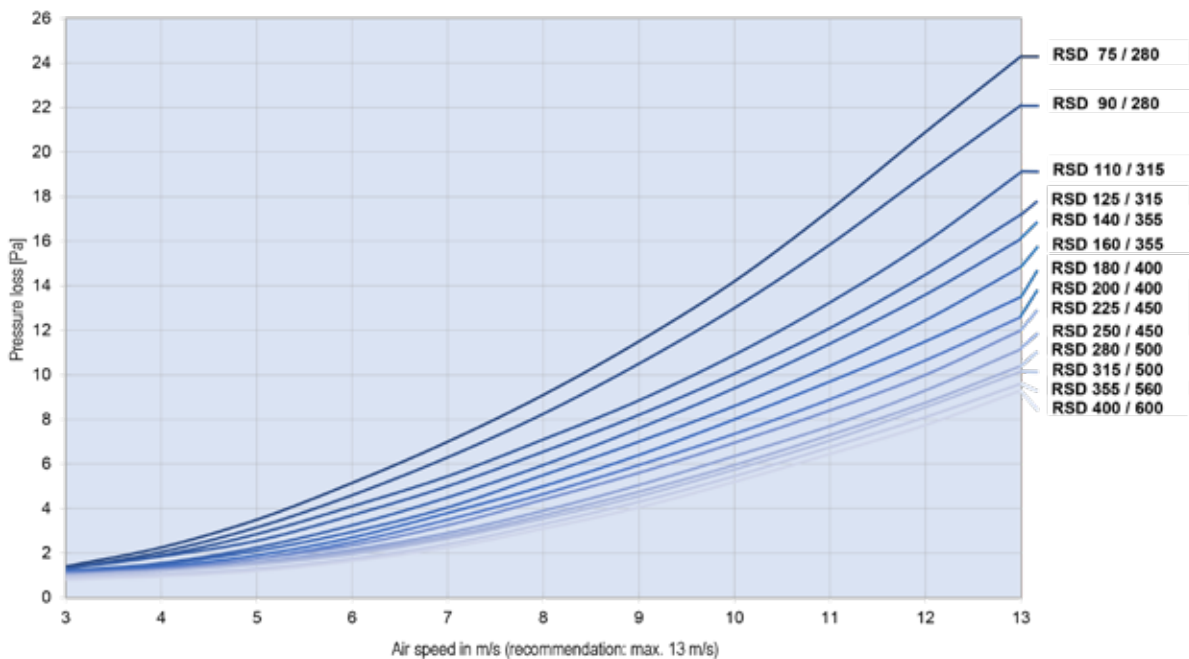


HF - Circular silencer Pressure loss characteristic

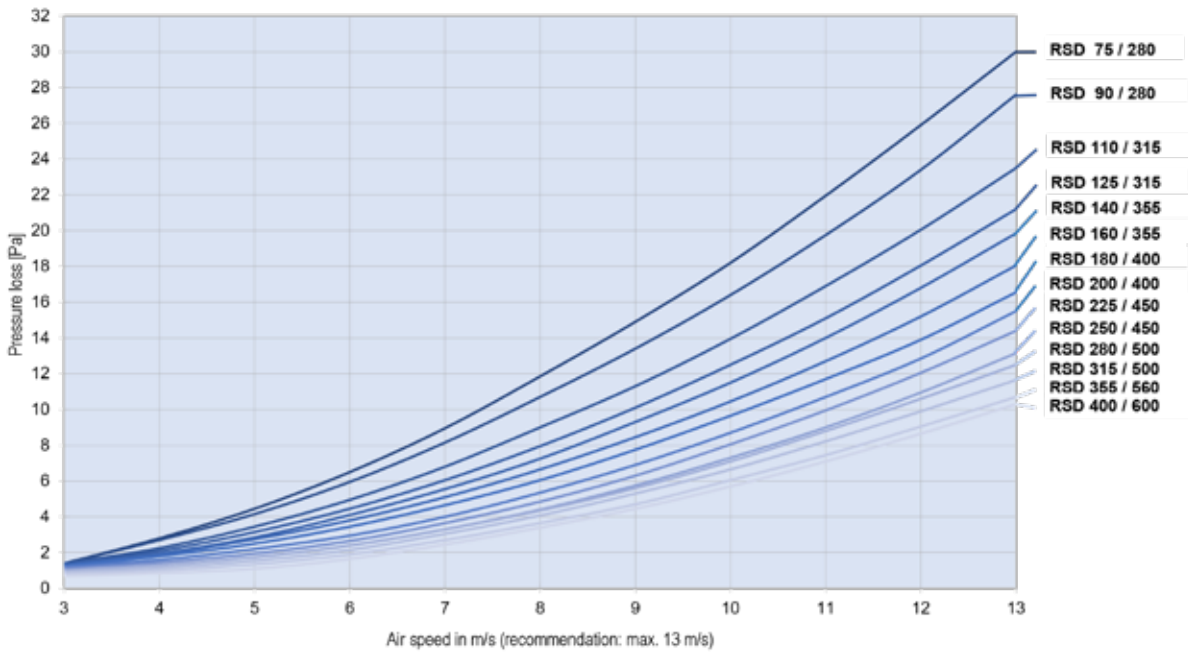
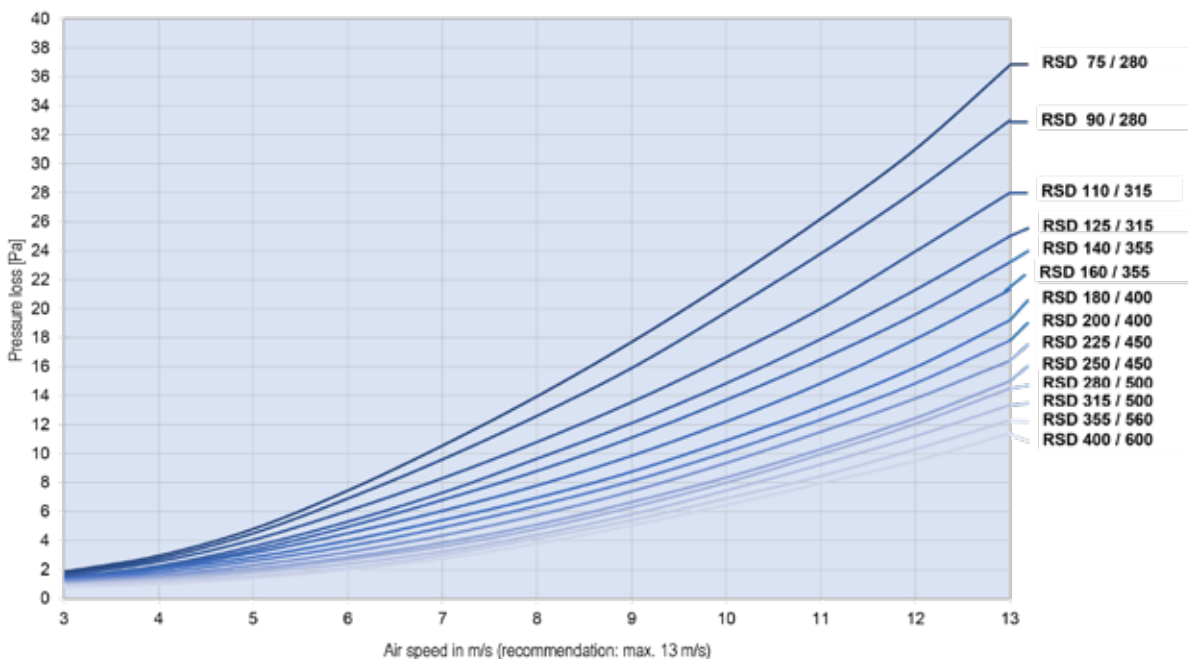
Effective length $G = 500$



Effective length $G = 750$



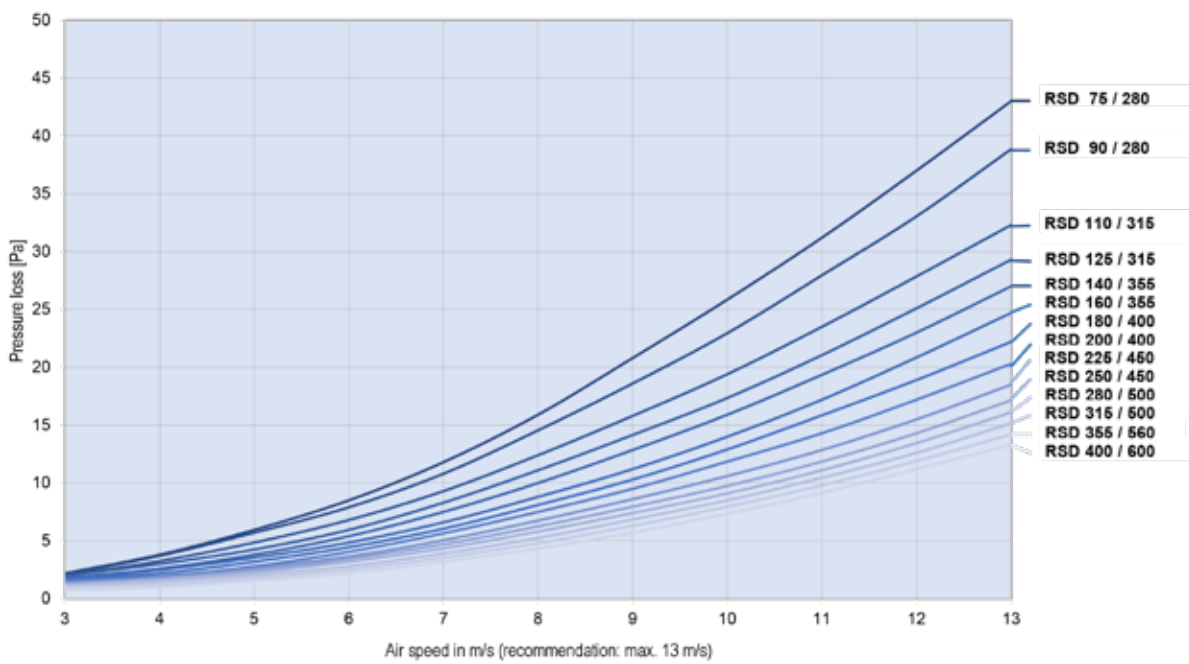
HF - Circular silencer
Pressure loss characteristic


Effective length $G = 1000$

Effective length $G = 1250$




HF - Circular silencer Pressure loss characteristic

Effective length $G = 1500$



www.hlu.eu

Hürner Luft- und Umwelttechnik GmbH

Ernst-Hürner-Straße
35325 Mücke-Atzenhain
Germany

Tel. +49 6401 9180 - 0
Fax +49 6401 9180 - 142

info@hlu.eu

Sälzerstraße 20a
56235 Ransbach-Baumbach
Germany

Tel. +49 2623 92 95 9 - 0
Fax +49 2623 92 95 9 - 99

