

Constant volume flow controller



HF-VRM
Constant volume flow
controller in round design,
without power supply
for constant control of
airflows under changing
pressure conditions



Constant volume flow controller in round design, without power supply for constant control of airflows under changing pressure conditions



Application

- Used to keep air flows constant under changing pressure conditions
- Regulation without power supply
- Adjustment device

Description

- Volume flow 75 – 3.200 m³/h
- Minimum pressure difference 100 Pa at nominal volume flow
- Material PPs, PVC | Special materials optionally available

Design

- Nominal diameters 110 – 315 mm
- HF-VRM-R
Designed with pipe connection on both sides for pipeline installation with soft PVC sleeves
- HF-VRM-M
with sleeve connection on both sides
- HF-VRM-F
with flange connection on both sides



Constant volume flow controller in round design, without power supply for constant control of airflows under changing pressure conditions

Specification

Mechanical constant volume flow controller HF-VRM in round design, without power supply for constant control of airflows in corrosive area.

All parts exposed to the airflow are made of plastic, the control element outside is made of plastic / stainless steel. The volume flow can be adjusted with a scaled adjustment device attached to the housing.

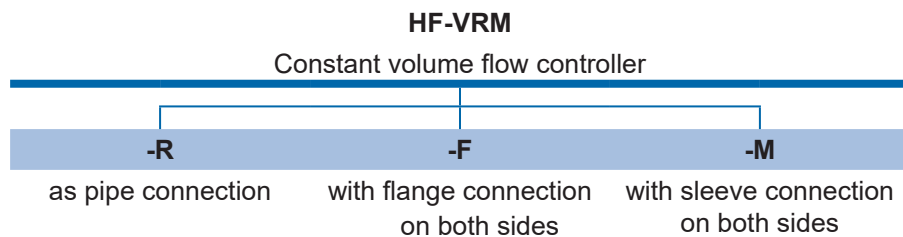
The flow controller can be installed in any position.

Temperature range 0 °C to + 70 °C

- with pipe connection on both sides / smooth
 Manufacturer : **Hürner Luft- und Umwelttechnik**
 Type : **HF-VRM-R**
- with sleeve connection on both sides
 Manufacturer : **Hürner Luft- und Umwelttechnik**
 Type : **HF-VRM-M**
- with flange connection on both sides
 Manufacturer : **Hürner Luft- und Umwelttechnik**
 Type : **HF-VRM-F**

Order example

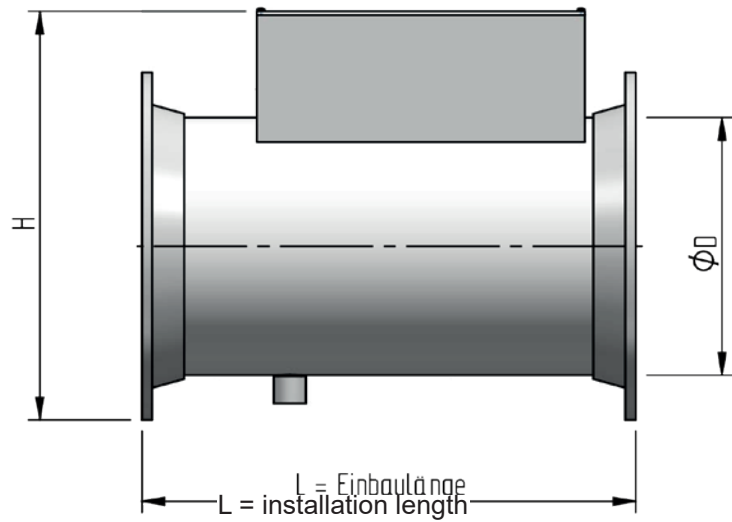
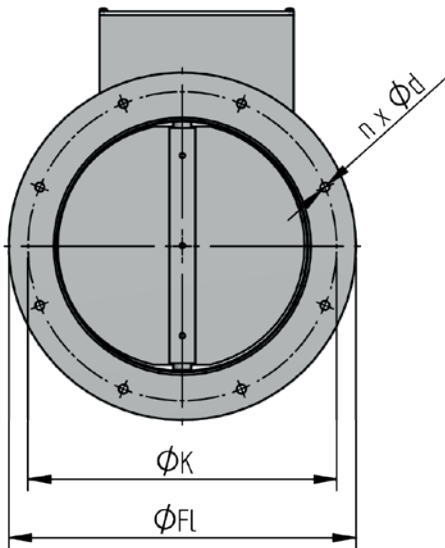
HF-VRM-M 110



Constant volume flow controller in round design, without power supply for constant control of airflows under changing pressure conditions



Flange version VRM-F



Size	Dimensions					HF-VRM	
	ϕD	ϕFL	ϕK	ϕd	Quantity ϕd	L	Volume flow (m ³ /h)
110	170	150	7	4	350	75 - 300	200 - 1200
125	185	165	7	8	380	90 - 550	200 - 1200
160	230	200	7	8	390	200 - 1000	200 - 1200
200	270	240	7	8	400	250 - 1400	200 - 1200
250	320	290	7	12	430	350 - 2100	200 - 1200
315	395	350	9	12	440	700 - 3200	200 - 1200

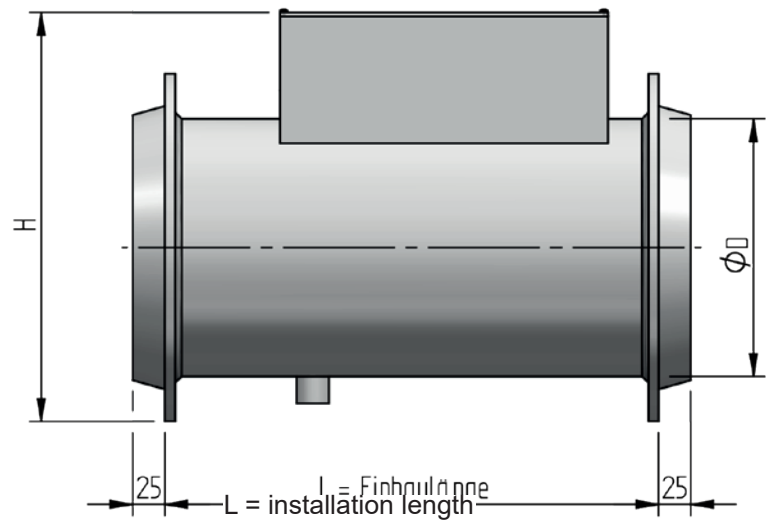
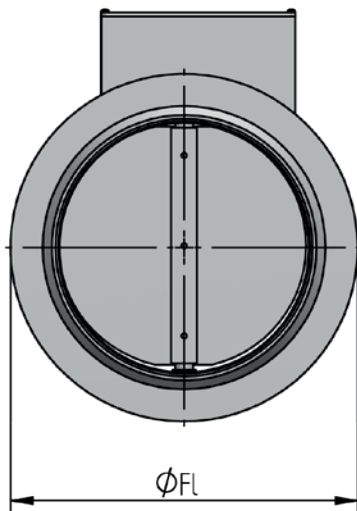
All dimensions in mm

HF - VRM



Constant volume flow controller in round design, without power supply for constant control of airflows under changing pressure conditions

Sleeve version VRM-M



Size	Dimensions				HF-VRM	
	Ø D	Ø FL	Ø d	Quantity Ø d	L	Volume flow (m ³ /h)
110	170	7	4	350	75 - 300	200 - 1200
125	185	7	8	380	90 - 550	200 - 1200
160	230	7	8	390	200 - 1000	200 - 1200
200	270	7	8	400	250 - 1400	200 - 1200
250	320	7	12	430	350 - 2100	200 - 1200
315	395	9	12	440	700 - 3200	200 - 1200

All dimensions in mm

www.hlu.eu

Hürner Luft- und Umwelttechnik GmbH

Ernst-Hürner-Straße
35325 Mücke-Atzenhain
Germany

Tel. +49 6401 9180 - 0
Fax +49 6401 9180 - 142

info@hlu.eu

